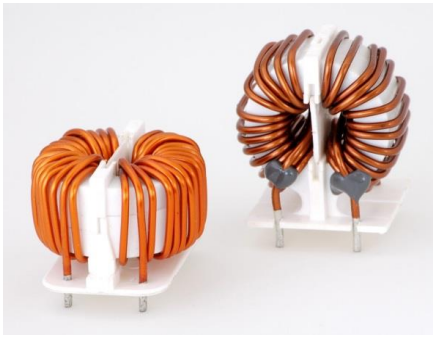


# Common mode choke coil

## TC\_T,Y Coil Series



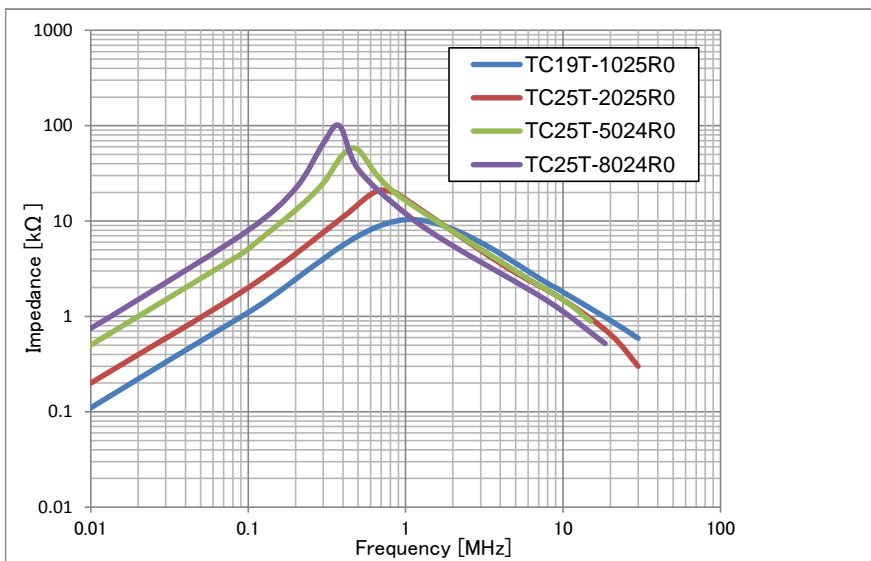
### ◆用途 Usage

- スイッチング電源用コモンモードフィルタ  
Common mode filter for switching power supplies
- インバータ、IH家電用コモンモードフィルタ  
Common mode filter for inverters/induction heating equipments
- その他電子機器のノイズ対策用  
Noise control and suppression for other electronic equipments

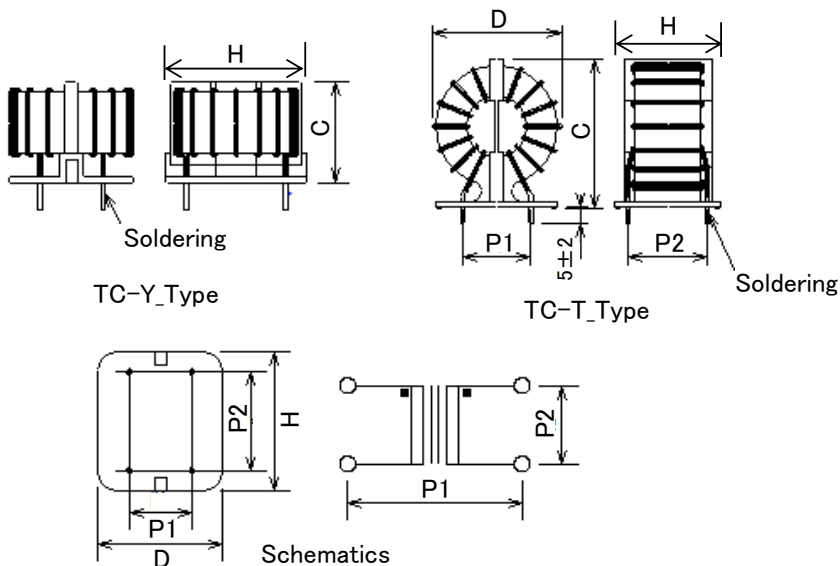
### ◆特長 Features

- 端子台構造のため、基板実装性・耐振動性に優れる  
Superior in mounting/anti-vibration due to the terminal board
- 大電流(～60A)まで対応可能  
Available in large current (up to 60A)
- カスタム対応可能  
Specifications are customizable
- トロイダル形状のため、小型・大インダクタンス  
Small in size/large inductance, due to toroidal coil
- RoHS対応品  
RoHS compliant

### ◆特性 f-Z Characteristics



### ◆寸法 Dimensions(mm)



◆仕様 Specifications

Model No.	Rated Current (A)	Inductance (mH)min.	DC Resistance (mΩ /line)max.	Dimension(mm)					Wire(mm) φ
				D max.	H max.	C max.	P1	P2	
TC19T-1022R0	2	1	100	25	20	27	10	15	0.6
TC19T-2022R0	2	2	110	25	20	27	10	15	0.6
TC19T-3022R0	2	3	110	25	20	27	10	15	0.6
TC19T-5022R0	2	5	120	25	20	27	10	15	0.6
TC25T-5024R0	4	5	80	34	23	33	18	16	0.8
TC25T-8024R0	4	8	90	34	23	33	18	16	0.8
TC19T-1025R0	5	1	50	25	20	27	10	15	0.8
TC25T-2025R0	5	2	70	34	23	33	18	16	0.8
TC25T-3025R0	5	3	70	34	23	33	18	16	0.8
TC25T-10210R	10	1	20	34	23	33	12	17	1.3
TC31T-20210R	10	2	22	42	29	44	18	22	1.4
TC31T-15212R	12	1.5	18	42	29	44	18	22	1.5
TC25T-50115R	15	0.5	8	34	23	33	18	16	1.5
TC31T-10215R	15	1	12	44	30	44	18	22	1.7
TC31T-50118R	18	0.5	7	44	30	44	18	22	1.8
TC38Y-10210R	10	1	22	42	41	30	17	30	1.4
TC38Y-15212R	12	1.5	18	51	51	30	17	30	1.5
TC38Y-10215R	15	1	12	51	51	32	17	30	1.7
TC38Y-20215R	15	2	12	51	51	34	26	30	1.8
TC38Y-15218R	18	1.5	10	51	51	34	26	30	1.9
TC38Y-10220R	20	1	8	51	51	34	26	30	2
TC38/18Y-15220R	20	1.5	4.2	51	51	38	26	30	2.3
TC38T-40130R	30	0.4	1.7	51	33	51	20	25	2 x2
TC47Y-16230R	30	1.6	3.5	62	62	38	20	50	2 x2
TC47W-16250R	50	1.6	3	65	65	56	20	50	2 x3
TC47Y-11260R	60	1.1	3	69	69	44	20	50	2.4 x2

- Temperature Range (Storage condition) : -25~+120°C
- Temperature Class : Class\_ E (120°C)
- Rated voltage : 250V(AC/DC)
- Insulation resistance : at 500V DC, more than 100MΩ
- Test voltage : 2000V AC

※上記は一例です。詳細はお問い合わせください。

The table above is an example. Please inquire for more details.

