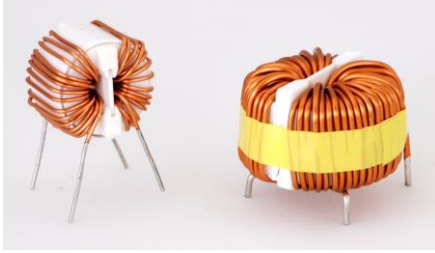


Common mode choke coil

TC Coil Series



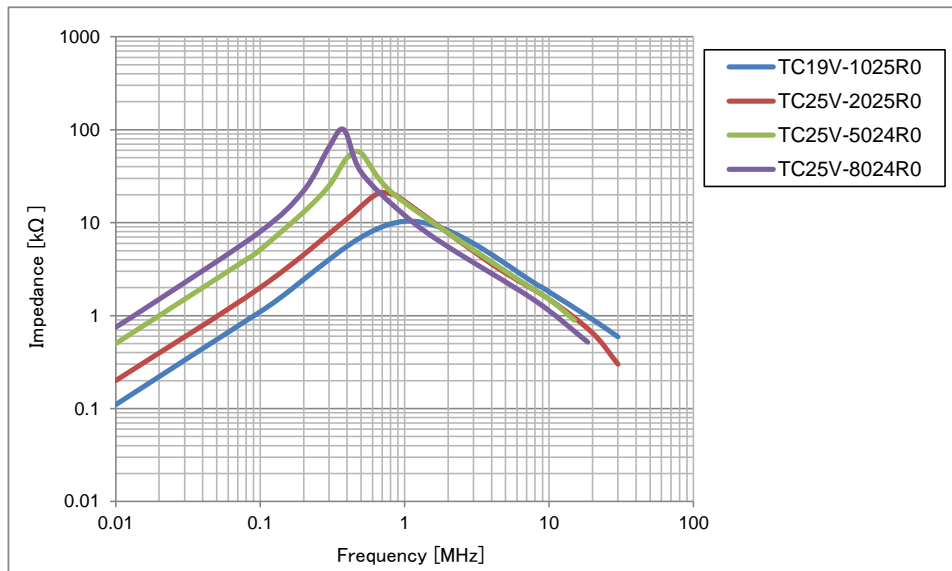
◆用途 Usage

- スイッチング電源用コモンモードフィルタ
Common mode filter for switching power supplies
- インバータ、IH家電用コモンモードフィルタ
Common mode filter for inverters/induction heating equipments
- その他電子機器のノイズ対策用
Noise control and suppression for other electronic equipments

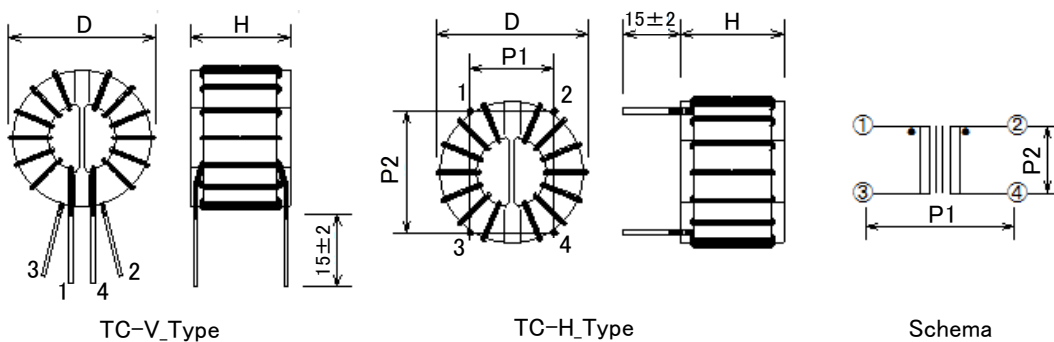
◆特長 Features

- 大電流(～60A)まで対応可能
Available in large current (up to 60A)
- カスタム対応可能
Specifications are customizable
- トロイダル形状のため、小型・大インダクタンス
Small in size/large inductance due to toroidal coil
- RoHS対応品
RoHS compliant

◆特性 f-Z Characteristics



◆寸法 Dimensions(mm)



◆仕様 Specifications

Model No.	Rated Current (A)	Inductance (mH)min.	DC Resistance (mΩ /line)max.	Temp Rise (K)max.	Dimension(mm)				Wire(mm) φ
					D max.	H max.	P1	P2	
TC12V-1022R0	2	1	50	40	17.5	14	8	13	0.5
TC19V-1022R0	2	1	100	40	23	18.5	10	19	0.6
TC19V-2022R0	2	2	110	40	23	18.5	10	19	0.6
TC19V-3022R0	2	3	100	40	27	20	10	19	0.6
TC25V-8022R0	2	8	150	40	34	23	18	21	0.6
TC19V-1025R0	5	1	50	40	25	18.5	10	19	0.8
TC25V-2025R0	5	2	70	40	32	22	18	21	0.8
TC25V-5024R0	4	5	80	50	34	23	18	21	0.8
TC25V-8024R0	4	8	85	60	34	23	18	21	0.8
TC25H-10210R	10	1	20	40	34	23	22	21	1.3
TC38H-20210R	10	2	28	40	47	27	30	30	1.3
TC38H-10215R	15	1	12	40	49	27	35	35	1.8
TC38H-20215R	15	2	12	45	50	28	35	35	1.8
TC38H-10220R	20	1	8	50	52	32	35	35	2

- Temperature Range (Storage condition) : -25~+120°C
- Temperature Class : Class_ E (120°C)
- Rated voltage : 250V(AC/DC)
- Insulation resistance : at 500V DC, more than 100MΩ
- Test voltage : 2000V AC

※上記は一例です。詳細はお問い合わせください。

The table above is an example. Please inquire for more details.