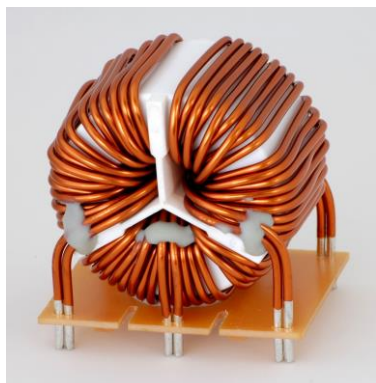


# Common mode choke coil

## T3C Coil Series



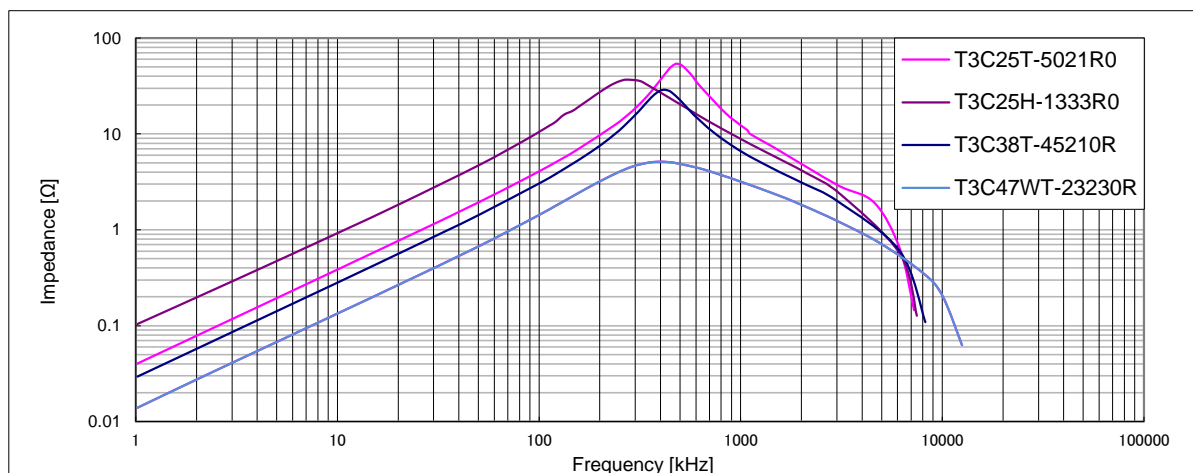
### ◆用途 Usage

- スイッチング電源用三相コモンモードフィルタ  
Three-phase common mode filter for switching power supplies
- インバータ、IH家電用三相コモンモードフィルタ  
Three-phase common mode filter for inverters/induction heating equipments

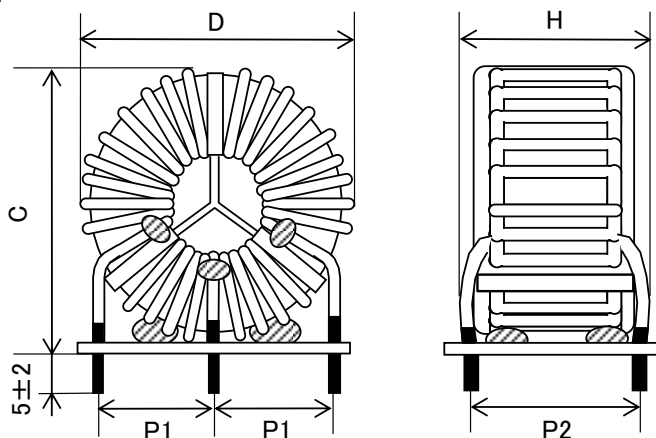
### ◆特長 Features

- 端子台構造のため、基板実装性・耐振動性に優れる  
Superior in mounting/anti-vibration due to the terminal board
- 大電流(~60A)まで対応可能  
Available in large current (up to 60A)
- カスタム対応可能  
Specifications are customizable
- トロイダル形状のため、小型・大インダクタンス  
Small in size/large inductance, due to toroidal coil
- RoHS対応品  
RoHS compliant

### ◆特性 f-Z Characteristics



### ◆寸法 Dimensions(mm)



## ◆ 仕様 Specifications

Model No.	Rated Current (A)	Inductance (mH)min.	DC Resistance (mΩ /line)max.	Dimension(mm)					Wire(mm) φ
				D max.	H max.	C max.	P1	P2	
T3C25T-5021R0	1	5	150	30	20	32	10	15	0.5
T3C25H-1333R0	3	9.1	85	30	20	32	10	15	0.7
T3C38T-45210R	10	3.5	26	46	25	48	10	15	1.3
T3C38T-28120R	20	0.28	4	47	25	49	10	15	1.8
T3C38T-35130R	30	0.35	2.3	50	25	52	10	15	2.4
T3C47WT-23230R	30	1.6	3.5	60	55	65	18	16	2.0 x2
T3C47T-35145R	45	0.35	2	60	30	65	18	16	2.1 x2
T3C47T-40160R	60	0.4	1.4	60	30	66	18	16	2.4 x2
T3C47WT-80160R	60	0.8	1.7	60	55	66	18	16	2.4 x2

- Temperature Range (Storage condition) : -25~+120°C
- Temperature Class : Class\_ E (120°C)
- Rated voltage : 250V(AC/DC)
- Insulation resistance : at 500V DC, more than 100MΩ
- Test voltage : 2000V AC

※上記は一例です。詳細はお問い合わせください。

The table above is an example. Please inquire for more details.

